

Product Guide

C 2040 10W 100V Line IP66 Rated ABS Horn Speaker



C 2040 10W Weatherproof Horn Speaker

- ✓ UV stabilised ABS construction
- ✓ Stainless steel mounting hardware
- ✓ Rust-free stainless steel bracket
- ✓ Compact & efficiency design
- ✓ Ideal for use in wet areas
- ✓ Suitable for installation in exposed outdoor areas
- ✓ Five core cable connection



Redback® High Performance Horn Speakers

Application

The C 2040 is an IP66 rated weatherproof horn speaker designed for indoor or outdoor installations.

Features marine grade stainless steel fixings & mounting bracket. Recommended for use in marine environments; ships, industrial plants and other harsh environmental applications.

About Redback® Speaker Drivers

Each horn speaker has been specifically engineered to ensure a wide frequency range and dispersion angle, plus a high sound pressure level (SPL) ensuring excellent music and speech intelligibility; which is highly desirable.

Redback® drivers exhibit optimum frequency response and efficiency for BGM & paging applications.

Redback® drivers are subject to strenuous factory testing reducing the risk of unit failure or performance reduction over time.

Installation Guidelines

The C 2040 is a 100V line horn speaker designed for direct connection to a commercial amplifier with 100V output. It is fitted with a 300mm 5 core cable. Each coloured cable core is connected to a power tap on the transformer. Selection is made by connecting between common and the required power tap cores.

The speaker is supplied with a stainless steel bracket and fixings ensuring rust-free performance even in harsh environments.

The neutral grey RAL colour of C 2040 provides an architecturally unobtrusive finish to virtually any installation.

Specifications

Rated power:	10 Watts
Power taps:	1.25, 2.5, 5 & 10W
Transformer impedance:	1k Ω , 2k Ω , 4k Ω , 8k Ω
Driver impedance:	20 Ω
Frequency range:	400Hz-8kHz
SPL 1W @ 1m:	97dB
SPL @ Full power:	107dB
Acoustic power dB-PWL 1 watt @ 1kHz /2kHz:	95dB / 97dB
Dispersion at 1kHz/2kHz:	180°/110°
Directivity axial Q factor 1kHz/2kHz:	2.8/6.6
Dimensions:	Ø138 x 200mm
Net weight:	1.3kg
Colour:	Grey RAL7035
Material:	ABS plastic housing with UV inhibitors
Mounting:	Stainless steel U bracket

Architect Specifications

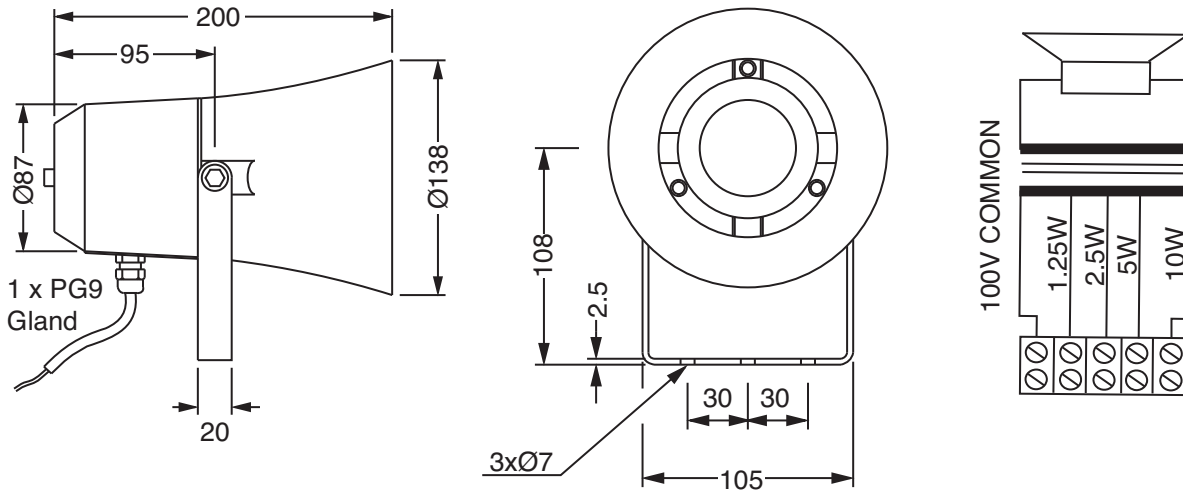
The unit shall be the Redback model C 2040. The horn enclosure shall be constructed of high impact ABS with UV inhibitors and non-perishable gaskets to prevent the ingress of water or dust and be rated to a minimum of IP66. The unit will be mounted via a stainless steel "U" bracket and fixings. The speaker assembly shall comprise of a high-density phenolic resin diaphragm housed in a flared chamber, 200mm long x 138mm diameter. A 10 watt/100 volt line, factory fitted transformer shall provide 3dB power taps, power selection via multi-core cable. The loudspeaker shall have a controlled dispersion. The cones shall be high compliance units with a smooth extended frequency response.

Product Guide

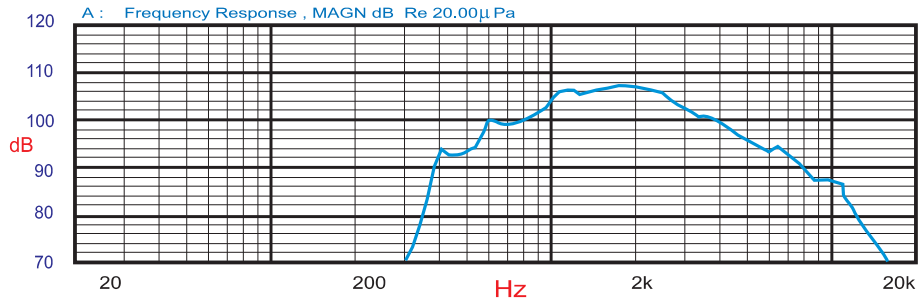
C 2040 10W 100V Line IP66 Rated ABS Horn Speaker



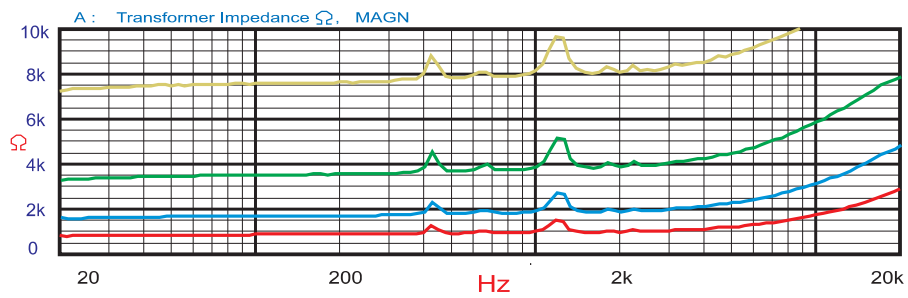
Dimensions & Transformer Detail



Frequency Response



Impedance (horn speaker loaded)



Polar Plot

