

## Product Guide

C 2045 30W 100V Line IP66 Rated ABS Horn Speaker



# C 2045 30W Weatherproof Horn Speaker

- ✓ UV stabilised ABS construction
- ✓ Stainless steel mounting hardware
- ✓ High power output for increased SPL
- ✓ Rust-free stainless steel bracket
- ✓ Compact & efficiency design
- ✓ Ideal for use in wet areas
- ✓ Suitable for installation in exposed outdoor areas
- ✓ Five core cable connection



Redback® High Performance Horn Speakers

### Application

The C 2045 is an IP66 rated weatherproof horn speaker designed for indoor or outdoor installations.

Features marine grade stainless steel fixings & mounting bracket. Recommended for use in marine environments; ships, industrial plants and other harsh environmental applications.

### About Redback® Speaker Drivers

Each horn speaker has been specifically engineered to ensure a wide frequency range and dispersion angle, plus a high sound pressure level (SPL) ensuring excellent music and speech intelligibility; which is highly desirable.

Redback® drivers exhibit optimum frequency response and efficiency for BGM & paging applications.

Redback® drivers are subject to strenuous factory testing reducing the risk of unit failure or performance reduction over time.

### Installation Guidelines

The C 2045 is a 100V line horn speaker designed for direct connection to a commercial amplifier with 100V output. It is fitted with a 300mm 5 core cable. Each coloured cable core is connected to a power tap on the transformer. Selection is made by connecting between common and the required power tap cores.

The speaker is supplied with a stainless steel bracket and fixings ensuring rust-free performance even in harsh environments.

The neutral grey RAL colour of C 2045 provides an architecturally unobtrusive finish to virtually any installation.

### Specifications

Rated power:	30 Watts
Power taps:	3.75, 7.5, 15 & 30W
Transformer impedance:	330Ω, 660Ω, 1.32kΩ, 1.875kΩ
Driver impedance:	20Ω
Frequency range:	330Hz-8kHz
SPL 1W @ 1m:	103dB
SPL @ Full power:	118dB
Acoustic power dB-PWL 1 watt @ 1kHz /2kHz:	101dB / 100dB
Dispersion at 1kHz/2kHz:	110°/70°
Directivity axial Q factor 1kHz/2kHz:	6.2/15.1
Dimensions:	Ø238 x 287mm
Net weight:	2.3kg
Colour:	Grey RAL7035
Material:	ABS plastic housing with UV inhibitors
Mounting:	Stainless steel U bracket

### Architect Specifications

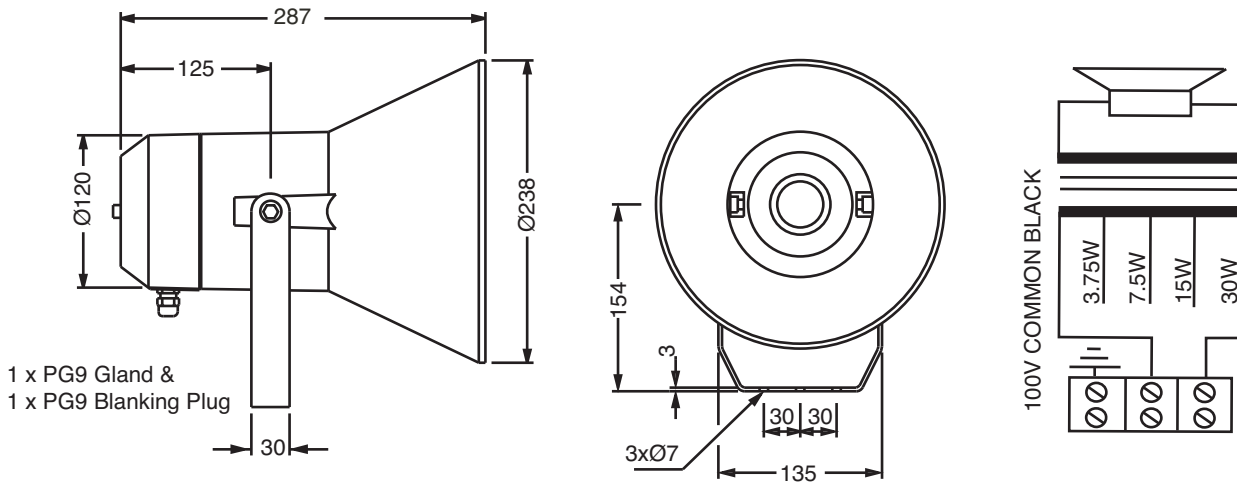
The unit shall be Redback model C 2045. The horn enclosure shall be constructed of high impact ABS with UV inhibitors and non-perishable gaskets to prevent the ingress of water or dust and be rated to a minimum of IP66. The unit will be mounted via a stainless steel "U" bracket and fixings. The speaker assembly shall comprise of a high-density phenolic resin diaphragm housed in a flared chamber, 287mm long x 238mm diameter. A 30 watt 100 volt line, factory fitted transformer shall provide 3dB power taps. Cable entry shall be via 2 x PG9 cable entries, 1 x cable gland and 1 x blanking plug will be mounted on a removable rear cover and will be supplied with ceramic terminals to take 2 x 2.5mm<sup>2</sup> conductors. The loudspeaker shall have a controlled dispersion. The cones shall be high compliance units with a smooth extended frequency response.

## Product Guide

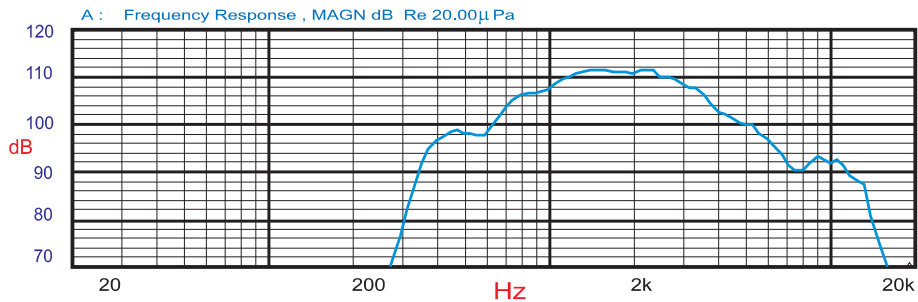
C 2045 30W 100V Line IP66 Rated ABS Horn Speaker



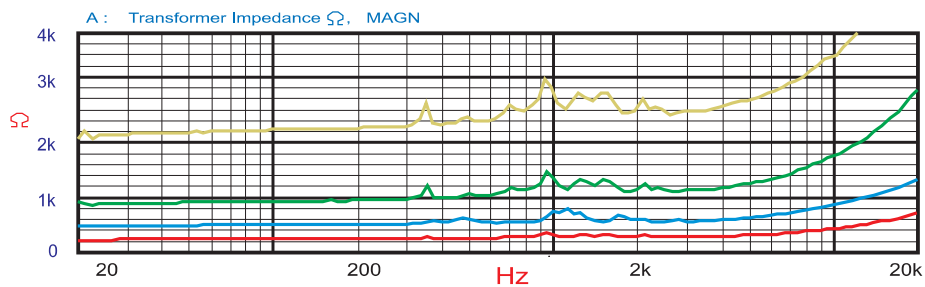
### Dimensions & Transformer Detail



### Frequency Response



### Impedance (horn speaker loaded)



### Polar Plot

