

Product Guide**C 2077** 30W 100V Line IP65 Rated ABS Music Horn Speaker

C 2077 30W Weatherproof Music Horn Speaker

- ✓ Unique combination re-entrant horn and high frequency driver
- ✓ Tough ABS construction
- ✓ Aluminium mounting bracket
- ✓ IP65 Weatherproof Construction
- ✓ Selectable 100V line power taps 3.75, 7.5W, 15W & 30W
- ✓ High efficiency drivers and transformer
- ✓ Ideal for outdoor applications where quality music and speech reproduction is paramount



Application

A unique innovation in horn speakers. A combination of re-entrant low/mid driver with a high frequency loaded horn culminates in breath taking clarity and sound pressure level for relatively wide range reproduction.

It is eminently suited to outdoor applications where a very high standard of speech and music reproduction is demanded eg: schools gymnasiums, aquatic centres, sporting arenas, stadiums, railway stations etc.

The speaker is weather resistant, incorporates an aluminum mounting bracket and has an IP65 rating. Manufactured from high impact ABS plastic.

About Redback® Speaker Drivers

Each horn speaker has been specifically engineered to ensure a wide frequency range and dispersion angle, plus a high sound pressure level (SPL) ensuring excellent music and speech intelligibility; which is highly desirable.

Redback® drivers exhibit optimum frequency response and efficiency for BGM & paging applications.

Redback® drivers are subject to strenuous factory testing reducing the risk of unit failure or performance reduction over time.

Installation Guidelines

The C 2077 is a 100V line horn speaker designed for direct connection to a commercial amplifier with 100V output.

Fitted with an aluminium mounting bracket for rust free performance in outdoor installations. Supplied with stainless steel hardware.

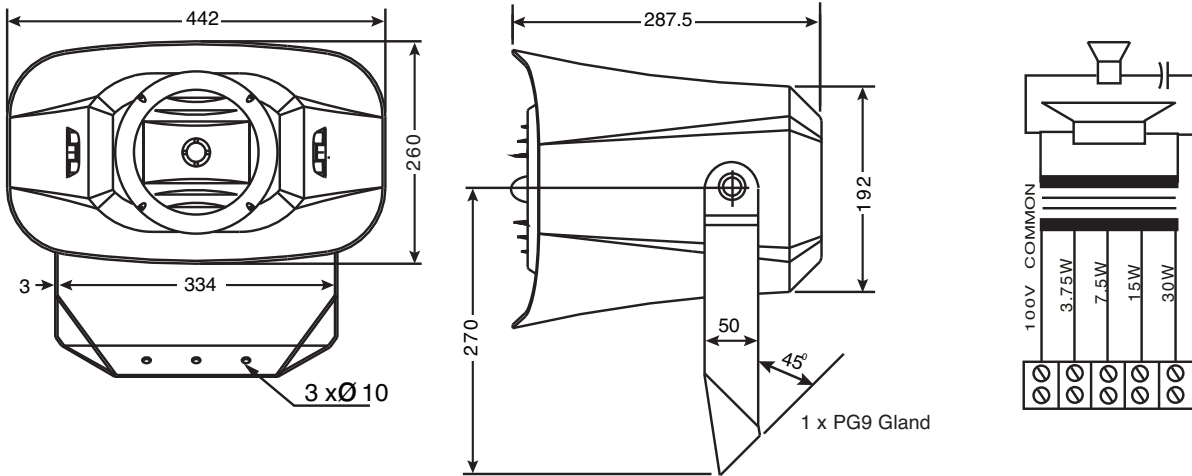
The neutral grey RAL7035 colour of C 2077 provides an architecturally unobtrusive finish to virtually any installation.

Product Guide

C 2077 30W 100V Line IP65 Rated ABS Horn Speaker



Dimensions & Transformer Detail



Redback® High Performance Horn Speakers

Specifications

Electrical

Power taps:	3.75, 7.5, 15, 30W
SPL 1W @ 1m:	98dB @ 1kHz (+/- 2dB)
SPL Max Tap @ 1m:	114dB @ 1kHz (+/- 2dB)
Frequency response:	65Hz-16.5kHz
Dispersion angle:	70° (hor.) / 110° (vert.)

Mechanical

Mounting depth:	287.5mm
Overall weight:	5.5kg

Environmental

Operating temperature:	-25°C to +70°C
Relative humidity:	< 95%

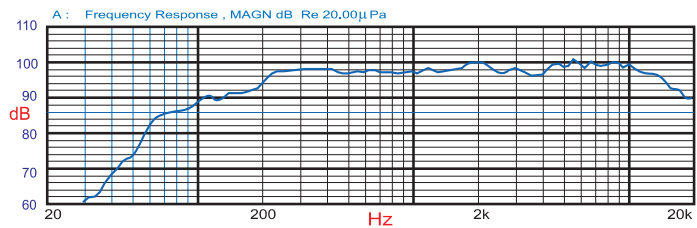
Architectural Specifications

The music horn speaker shall operate at 100V and have power taps of 30W, 15W, 7.5W, and 3.75W. Power settings shall be made by inbuilt selector switch. It shall have SPL of 98dB. It shall have a frequency response of 65Hz to 16.5 kHz. It will employ a 6.5" coaxial speaker and will be suitable for high performance high quality music.

The speaker body shall be made of ABS and have an IP65 rating. The mounting bracket will be aluminum.

The music horn speaker shall be a REDBACK model C 2077.

Frequency Response (SPL 1W @ 1m)



Polar Plots

