

## Product Guide

**C 2109C** 200mm (8") 100V 5W Twin Cone Driver



# C 2109C Twin Cone Public Address Driver

- ✓ Excellent speech intelligibility.
- ✓ High SPL output.
- ✓ Offset transformer mounting for installations with limited recess space.
- ✓ High quality speaker driver developed for BGM & paging applications.
- ✓ 5 year warranty.



### Application

C 2109C is a standard speaker & 100V transformer combination designed for general public address, BGM & paging installations. The offset transformer mounting allows mounting in ceilings with limited recess space.

### About Redback® Speaker Drivers

Each custom designed speaker and transformer combination has been specifically engineered to ensure a wide frequency range and dispersion angle, plus a high sound pressure level (SPL) ensuring excellent music and speech intelligibility; which is critical for emergency paging applications.

Each transformer is fitted with multiple power settings which are user selectable via taps on the transformer.

### Manufacturing & Performance

Redback® drivers are engineered and manufactured to stringent specifications ensuring maximum reliability under all operating conditions. Each driver has a power rating well above the max tapping of the transformer, ensuring reliable operation and excellent longevity. A strict quality control procedure is employed during every step of the manufacturing process. Finally, every finished speaker is 100% QC checked prior to shipping.

### Installation Guidelines

The C 2109C is fitted with a 2 way wire protect screw terminal block.

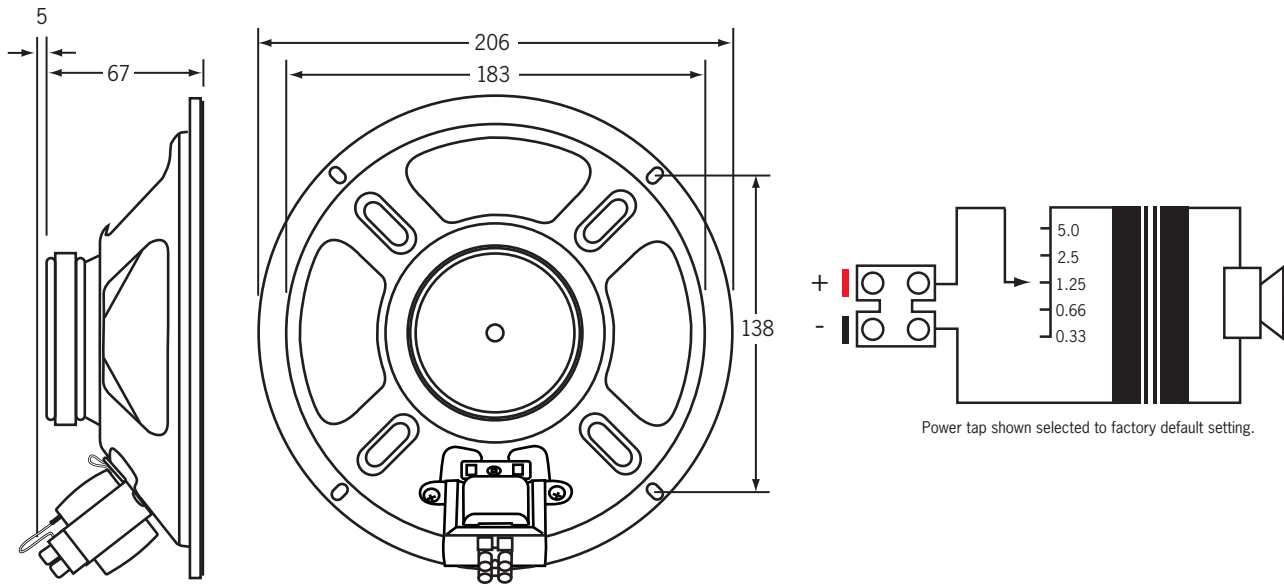
To attach the driver to a speaker grille use C 0835 grille fixing clips. For installation in gypsum or plasterboard ceilings use C 0825 Gypsee® screws. See "additional installation accessories" over the page.

## Product Guide

**C 2109C** 200mm (8") 100V 5W Twin Cone Driver



### Dimensions & Transformer Detail



### Specifications

#### Electrical

Power taps:	0.33, 0.66, 1.25, 2.5, 5W
SPL 1W @ 1m:	93.6dB @ 1kHz (+/- 2dB)
Frequency response:	100Hz-15kHz
Connection:	2 way terminal block

#### Mechanical

Driver construction:	Paper twin cone
Ceiling cutout:	183mm
Mounting depth:	70mm
Overall weight:	745g

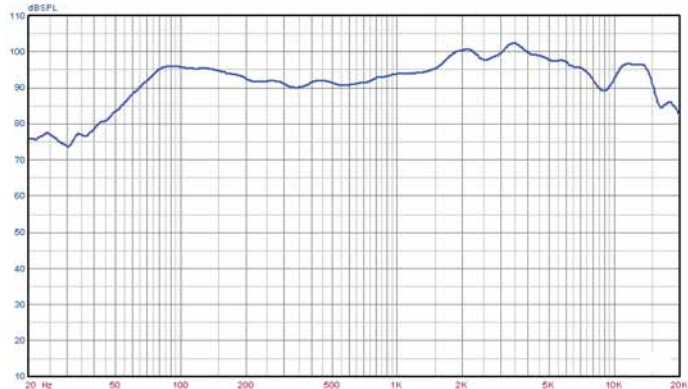
#### Environmental

Operating temperature:	-25°C to +55°C
Relative humidity:	< 95%

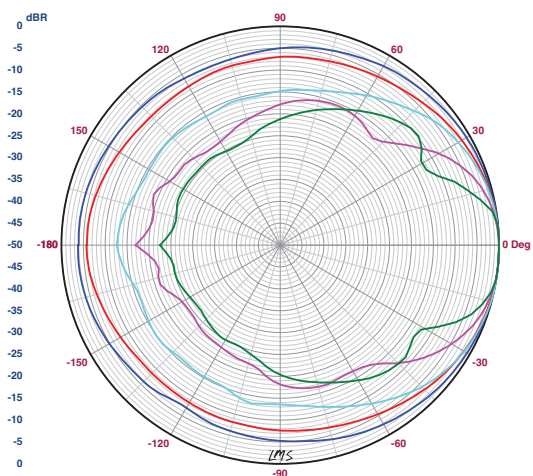
#### Additional Installation Accessories

- C 0805 200mm (8") white slimline ceiling grille
- C 0835 Pk100 speaker grille fixing clips
- C 0825 Pk100 Gypsee® gypsum/plasterboard screws

### Frequency Response (SPL 1W @ 1m)



### Polar Plot (Ratio vs Angle)



### Architect Specifications

The speaker shall be of 200mm diameter and be low profile fitted with a 100V transformer with power taps of 5W, 2.5W, 1.25W, 0.66W and 0.33W. It shall have a SPL of 93.6dB (1W@1m). It shall be fitted with a 2 way wire protect terminal block for connection. The speaker shall be a Redback model C 2109C.

	500Hz	1kHz	2kHz	4kHz	6kHz
SPL 1W @ 1m (dB)	91.1	93.6	100.3	99.7	91.9
Beam Width (BW)	207	127	91	55	35
Q-Factor	1.7	2.8	4.0	6.6	9.9
Directivity Index (DI)	2.4	4.5	6.0	8.2	10.0