

**Product Guide****C 2128** 200mm (8") 100V 15W Coaxial Ceiling Speaker White**C 2178** 200mm (8") 100V 15W Coaxial Ceiling Speaker Black

## 2-Way High Power Coaxial Fast-Fix EWIS Ceiling Speakers

- ✓ High power output
- ✓ Excellent speech intelligibility
- ✓ High quality speaker driver developed for BGM, paging and emergency warning applications
- ✓ Flip-lock mounting system reduces installation time.
- ✓ Fitted with 4 way wire protect terminal block for loop in, loop out wiring as required by Australian Standards.
- ✓ Fitted with supervisory capacitor for line monitoring.
- ✓ Stylish ABS surround and aluminium mesh grille.
- ✓ 5 year warranty.



### Application

The C 2128 and C 2178 employ 2 way coaxial drivers designed for use in EWIS systems where high SPL and extended frequency response is required. Also ideal general public address, BGM & paging installations.

### Emergency Warning & Intercommunications Systems (EWIS)

This speaker is designed for use in installations designed to deliver both verbal and tone announcements to occupants for evacuation and alarm conditions.

It is fitted with line monitoring capacitor and 4 way wire protect terminal connection.

### About Redback® Speaker Drivers

Each custom designed speaker and transformer combination has been specifically engineered to ensure a wide frequency range and dispersion angle, plus a high sound pressure level (SPL) ensuring excellent music and speech intelligibility; which is highly desirable for paging applications.

Redback® drivers exhibit optimum frequency response and efficiency for BGM, paging and EWIS applications. The transformers are wound on professional grade grain oriented steel cores for high efficiency and extended frequency response.

Each transformer is fitted with multiple power tapings which are selected via a tab on the top of the transformer.

### Installation Guidelines

Redback® "Fast-Fix" speaker utilise a time saving flip lock mounting method. It results in a finish with no visible screw heads or caps.

The flip lock tabs slide outwards as the speaker is screwed into the hole, securing the speaker to the ceiling material from the top side. Suitable for use with any 8-33mm ceiling tile, including gyprock, mineral fibre or fixed gyprock ceilings. We recommend a speaker hole of 238mm. This is easily cut using the T 2314 holesaw.

The neutral white RAL colour of C 2128 provides an architecturally unobtrusive finish to virtually any installation. C 2178 is fitted with a black grille for use on ceilings with a dark colour.

The transformer is fitted with a 4 way wire protect screw terminal block. This is suitable for loop in, loop out cabling.

### Testing

Redback® drivers are subject to strenuous factory testing reducing the risk of unit failure or performance reduction over time. Each driver has a power rating well above the max tapping of the transformer, ensuring reliable operation and excellent longevity.

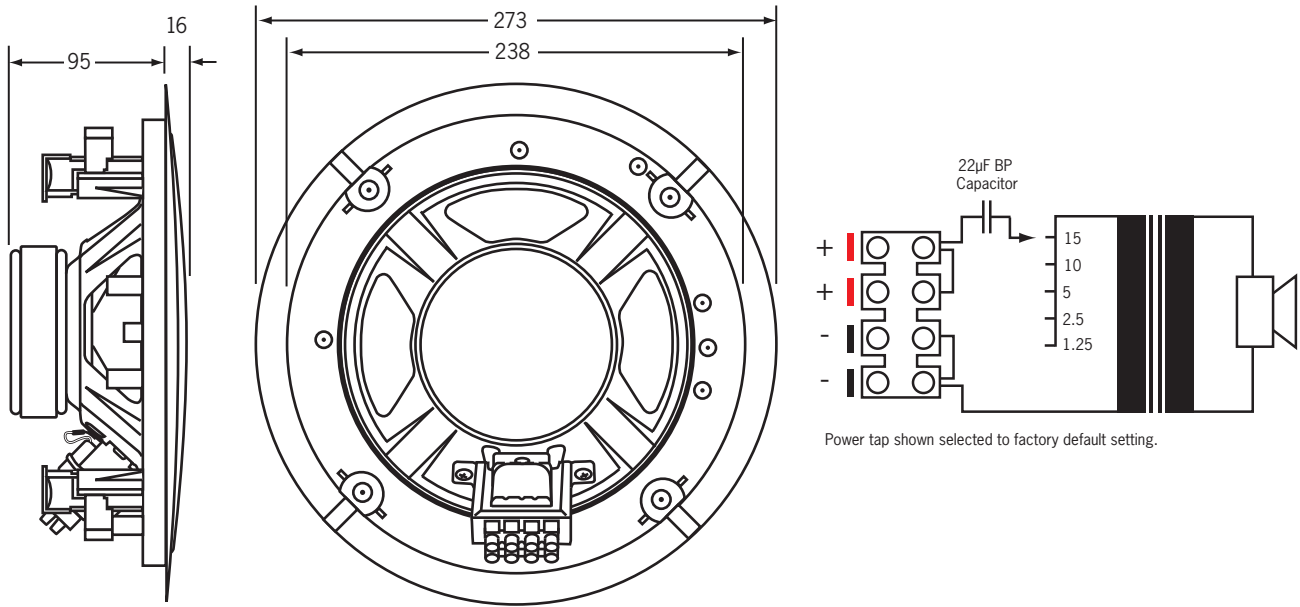
## Product Guide

**C 2128** 200mm (8") 100V 15W Coaxial Ceiling Speaker White

**C 2178** 200mm (8") 100V 15W Coaxial Ceiling Speaker Black



### Dimensions & Transformer Detail



### Specifications

#### Electrical

Power taps:	1.25, 2, 5, 10, 15W
SPL 1W @ 1m:	91dB @ 1kHz (+/- 2dB)
Frequency response:	45Hz-20kHz
Connection:	4 way terminal block + 22uf bipolar capacitor

#### Mechanical

Grille material:	ABS surround, aluminium mesh grille
Driver construction:	2 way coaxial, PECC cone
Ceiling cutout:	238Ømm
Grille diameter:	273Ømm
Mounting depth:	95mm (including ceiling tile thickness)
Overall weight:	2.2kg
C 2128 Colour:	White
C 2178 Colour:	Black

#### Environmental

Operating temperature:	-25°C to +55°C
Relative humidity:	< 95%

#### Additional Installation Accessories

**T 2314** Adjustable 40-270mm holesaw

### Architect Specifications

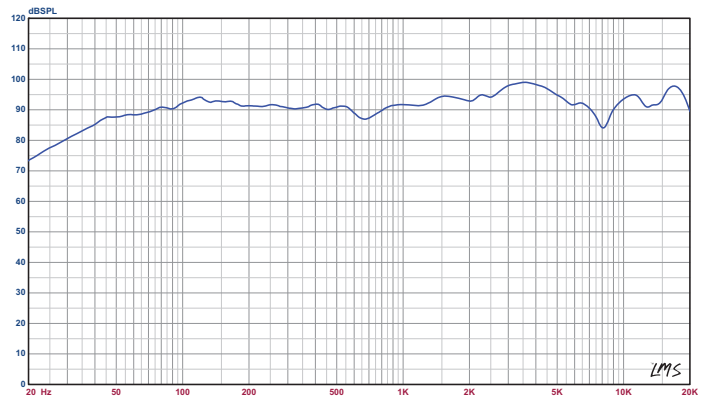
#### C 2128

The speaker shall be of 200mm diameter and be low profile fitted with a 100V transformer with power taps of 15W, 10W, 5W, 2W and 1.25W. It shall have a SPL of 91dB (1W@1m). It shall be fitted with a 4 way wire protect terminal block for cable connection and 22uf bipolar capacitor for line monitoring. The speaker shall be attached to a white aluminium grill with ABS surround & flip-lock mounting mechanism. The speaker & grill combination shall be a Redback model C 2128.

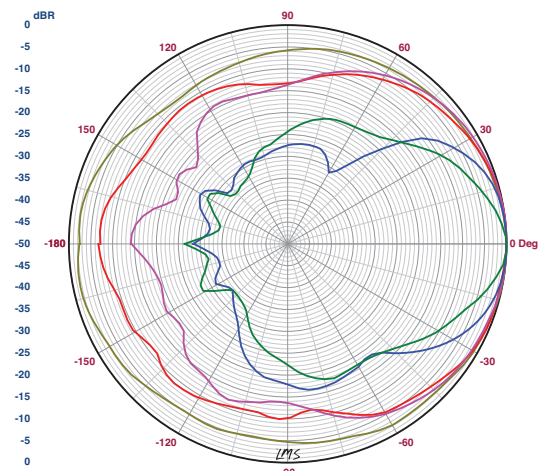
#### C 2178

The speaker shall be of 200mm diameter and be low profile fitted with a 100V transformer with power taps of 15W, 10W, 5W, 2W and 1.25W. It shall have a SPL of 10dB (1W@1m). It shall be fitted with a 4 way wire protect terminal block for cable connection and 22uf bipolar capacitor for line monitoring. The speaker shall be attached to a black aluminium grill with ABS surround & flip-lock mounting mechanism. The speaker & grill combination shall be a Redback model C 2178.

### Frequency Response (SPL 1W @ 1m)



### Polar Plot (Ratio vs Angle)



	500Hz	1kHz	2kHz	4kHz	6kHz
BW	280	124	109	51	36
Q-Factor	1.3	2.9	3.3	7.1	9.9
DI	1.1	4.6	5.2	8.5	10.0